

## 6900 SERIES

Surface-wall mounted dual channel hands-free interphone



# 6900 SERIES

Surface-wall mounted dual channel hands-free interphone



## Hands-free Interphone

The 6900 series is a range of hands-free interphones offering extremely practical operation thanks to the Hands-Free function, for Two-Wire system, which means that calls can be answered also without the use of buttons: this feature is particularly useful for disabled people.

Four buttons are dedicated to the main door entry system functions: door opening, auto-activation, auxiliary services (stair light), conversation.

The internal audio volume and chime volume can be adjusted, for Two-Wire system, and various call tones selected. The chime can be silenced by activating the "privacy" function.

The thin and extremely compact 6900 series interphones can be wall mounted with screws and wall, plugs or by using boxes or round boxes complying with national standards in the following countries: Italy, Germany, France and UK..

Two-Wire versions art. 6901 and 6901/D also have the following auxiliary functions:

- door open signal via a green LED;
- up to six auxiliary functions or intercommunicating calls;
- "unanswered calls" indication when chimes are silenced, via an intermittent red LED;
- different chimes to identify the origin of the call (external entrance panel, hallway, intercom).

Art. 6901/D is supplied with an integrated audio device, which makes it ideal for people with hearing difficulties including hearing aid wearers.

### Two-Wire type 6901

Dual channel hands-free interphone with **Two-Wire** technology

### Two-Wire type 6901/D

Dual channel hands-free interphone with **Two-Wire** technology and assistance for people with **hearing difficulties**

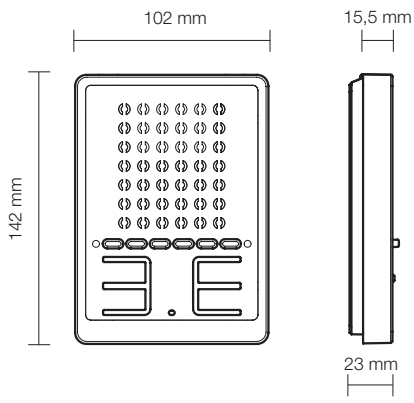
### Sound System type 6900

Dual channel hands-free interphone with **Sound System** technology



Two-Wire art. 6901/D is designed for use by people with **hearing aids**

# Hands-Free system



**EDVAX**

 **VIMAR** group



**ELVOX**

 **VIMAR** group

Via Pontarola, 14/a  
35011 Campodarsego PD  
Tel. 049 920 2511  
Fax 049 920 2603  
[www.elvox.com](http://www.elvox.com)