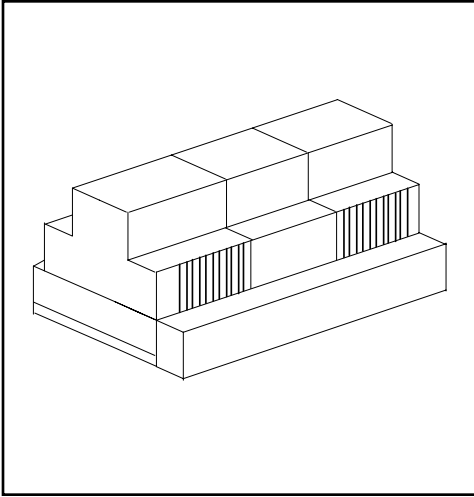


# Engineering Data

## DIGIBUS POWER SUPPLIES



- 6941 Main Power Supply for DigiBus Audio System**  
Supplies power for up to 200 DigiBus Handsets.
- 6942 Auxiliary Power Supply**  
Supplies power to up to 200 additional handsets.
- 6948 Main Power Supply for DigiBus Video Systems**  
Provides power for up to 60 Handsets/Video Monitors as well as monitor power for entire system
- 6947 DigiBus Video Booster Supply**  
Video monitor power supply booster - Audio call signal booster.

### General Information Specifications

- Self Diagnostics Circuits with LED readout of system status
- Quick disconnect Terminal Blocks
- Electronic Short Circuit/Overload Protection
- Easy Surface Wall Installation
- Plug in PC Cards for easy maintenance
- Fuse protected control voltage outputs
- Transformer overload protection
- Small footprint for easy system layout

<b>Power Requirements:</b>	120 VAC 60VA
<b>Outputs:</b>	
<b>6941,6942:</b>	13.5VDC 1.5A(up to 200 Handsets) 15VAC .4A for Directory Backlight 15VAV 1A for Door Release
<b>6948:</b>	13.5VDC 1.5A(up to 60 Apts) 18VDC .8A Video Monitor power for system 15VAC .4A for Directory Backlight 15VAV 1A for Door Release
<b>6947:</b>	18VDC .8A Video Monitor power for system
<b>LED Status:</b>	Lock voltage, Lock Status, Aux Relay 1, Aux Relay 2, Audio, System Power, Monitor Power
<b>Dimensions:</b>	
<b>6941-6942-6947:</b>	8.25" x 3.75" x 2.75"
<b>6948:</b>	8.25" x 3.75" x 3.5"
<b>Weight:</b>	3.5 lbs

### Architects and Engineers Specifications

**6941:** The main supply shall provide power for up to 200 DigiBus audio stations, auxiliary AC voltage for directory backlighting and AC voltage for electric door release. The power supply shall have built in diagnostic LEDs to allow for easy determination of system status.

**6942:** The auxiliary power supply shall provide additional power for up to an additional 200 apartment stations as well as auxiliary AC voltage for directory backlighting and AC voltage for electric door release.

**6948:** The main video supply shall provide power for up to 60 apartment stations, power for video monitor turnon as well as auxiliary AC voltage for directory backlighting and AC voltage for electric door release.

**6947:** The DigiBus Video booster supply boosted voltage for video monitor operation and act as a call signal repeater for installations with long wire runs and/or voltage drops.

**DIGIBUS POWER SUPPLIES**  
 6941-6942-6947-6948

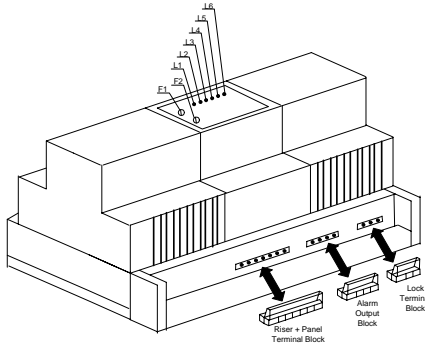
Paso Sound Products, Inc. - Phone: 1 800 231 3034 - Fax: 843 308 0904

**DIGIBUS**

REV 1.0

Form ED 6941

## 6941 - 6942 POWER SUPPLY



### LEDS

- L1 Lock Voltage
- L2 Lock Activation
- L3 Aux Function 1
- L4 Aux Function 2
- L5 Audio (6941 only)
- L6 Power

### FUSES

- F1 Main Fuse
- F2 15VAC lock fuse

### Terminals

#### Panel/Riser Terminals

- CH Tone enable from panel/switch board
- S Lock control
- F1 Aux 1 function in
- F2 Aux 2 function in
- 3 Talk line
- 4 Ground
- 5 +13.5 VDC

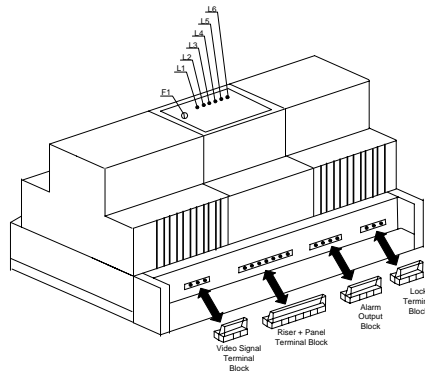
#### Alarm Output Terminals

- 4 Gnd
- R1 Aux 1 output
- 4 Gnd
- R2 Aux 2 output

#### Lock Output Terminals

- S1 Lock output (switched to 0)
- 0 Common
- 15 15 VAC

## 6948 POWER SUPPLY



### LEDS

- L1 Monitor Supply
- L2 Lock Activation
- L3 Aux Function 1
- L4 Aux Function 2
- L5 Audio (6941 only)
- L6 Digital Supply

### FUSES

- F1 Main Fuse

### Terminals

#### Panel/Riser Terminals

- +I Monitor turn off
- CH Tone enable from panel/switch board
- S Lock control
- F1 Aux 1 function in
- F2 Aux 2 function in
- 3 Talk line
- 4 Ground
- 5 +13.5 VDC
- + +18 VDC

#### Alarm Output Terminals

- 4 Gnd
- R1 Aux 1 output
- 4 Gnd
- R2 Aux 2 output

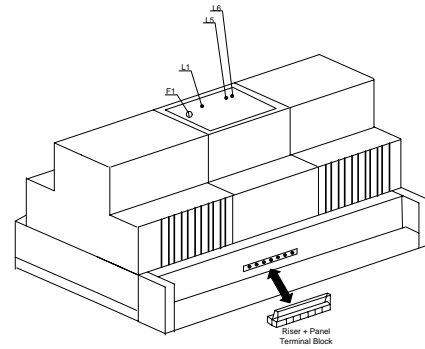
#### Lock Output Terminals

- S1 Lock output (switched to 0)
- 0 Common
- 15 15 VAC

#### Video Terminals

- V1-M1 Video input
- V2-M2 Video output

## 6947 POWER SUPPLY



### LEDS

- L5 Audio (6941 only)
- L6 Digital Supply

### FUSES

- F1 Main Fuse

### Terminals

#### Panel/Riser Terminals

- +I Monitor turn off
- CH Tone enable from panel/switchboard
- 3 Talk line
- 4 Ground Intercom
- + +18 VDC
- Ground Monitor



since 1931

AUTHORIZED DISTRIBUTOR

**PASO SOUND PRODUCTS, INC.**  
 4750F GOER DRIVE  
 NORTH CHARLESTON, SC 29406 USA  
 Phone: 843-308-9005 - Fax: 843-308-0904  
 EMAIL: info@pasosound.com URL: www.pasosound.com  
 FORM ED6941

Printed in USA

