

# Engineering Data

## 12F7/122D DIGITAL STAINLESS STEEL ENTRY PANEL

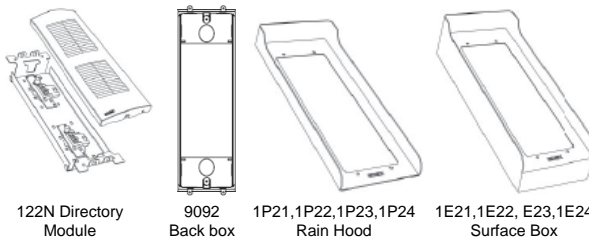
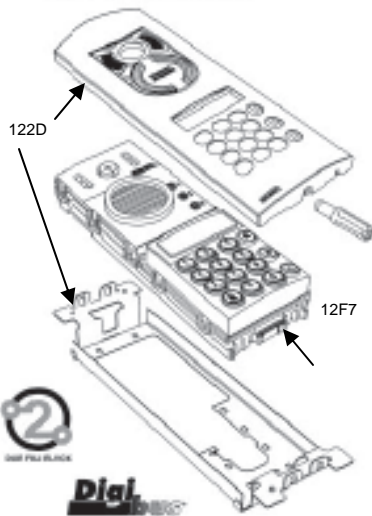


The Elvox® Digital Stainless Steel Panels are designed to be durable and aesthetically pleasing. A panel can be customized to the particular needs of any building. Directory modules, rain hoods, surface and flush mounting boxes are available. The 122D panel can be used with both the 2 Wire system or the DigiBus system by selecting the appropriate electronic module to fit into the panel. The AISI 316\* .8 mm embossed stainless steel entrance panel can be flush mounted using the 9092 back box and the 1P2(x) rain hood or surface wall-mounted with the AISI 316\* 1.5 mm 1E2(x) stainless steel surface box mount. The entrance panel has an embossed stainless steel front with two, die-cast aluminum headers fastening it to the frame using a special ELVOX screw. The drop-in frame is also constructed of stainless steel. The 122D is rated to IP44 indicating both dust and water resistance.

### Specifications

Call Origination:	Keypad
Speaker/Mic:	Speaker/electret mic full duplex (In electronic module)
Camera:	Hi-res Color/White LED Illuminator (In electronic module)
Mounting:	
Flush	9092 box(s)+ 1P2x
Surface	with 1E2x Surface box with hood
Construction:	Embossed Stainless Steel
122D-122N	.8mm
1P2x -1E2x	1.5mm
Directory:	Integral Alphanumeric Directory (In Electronic Module)
Electronic Modules	12F4 2 Wire Audio only with electronic directory 12F7 2 Wire Color Audio/video with electronic directory 1284 DigiBus Audio only with electronic directory 1287 DigiBus Color Audio/video with electronic directory
Dimensions:	
122D	3.875" W x 11" H x .75" D
122N	3.875" W x 11" H x .75" D
9092	3.75" W x 9.75" H x 2" D
1P21/1P22/1P23/1P24	4.75/8.625/12.5/16.375" W X 11.625" H X 1.5"D
1E21/1E22/1E23/1E24	4.75/8.625/12.5/16.375" W X 11.625" H X 2.75"D

### General Information



**12F7/122D**  
**Digital Stainless Steel Entry Panel**

### Architects and Engineers Specification

The Elvox® Digital Stainless Steel Panels shall be designed to be durable and aesthetically pleasing. The panel shall be customizable to the particular needs of any building. Directory modules, rain hoods, surface and flush mounting boxes shall be available. The 122D panel shall accommodate either the 2 Wire system or the DigiBus system by selecting the appropriate electronic module to fit into the panel. The panel shall be constructed of AISI 316 .8 mm embossed stainless steel. The panel shall be flush mounted using the 9092 back box and the AISI 316 1.5 mm 1P2(x) rain hood or surface wall-mounted with the AISI 316 1.5 mm 1E2(x) stainless steel surface box mount. The entrance panel has an embossed stainless steel front with die-cast aluminum headers A special ELVOX screw and tool shall be required to open the panel. The rear frame shall also be stainless steel. The 122D shall be rated to IP44 indicating both dust and water resistance.

**1220 Series**

**Rev 1.0**

Paso Sound Products, Inc. Tel:800 231 3034 Fax 893 308 0904 www.pasosound.com

Form ED122D