

Engineering Data

1282 DIGIBUS ENTRY PANEL MODULE



The 1282 is the Digibus electronics module designed to mount in the 1200/1300 series panels. The 1282 contains the Speaker/Mic, electronic name directory, alphanumeric keypad and display.

The 1282 is equipped with a graphic LCD display and electronic directory for up to 2000 names. Each name is up to 16 characters long. Multiple names can be entered for the same apartment.

The 1282 can store up to 2000 keyed access codes to allow for entry into the building by entering one of the codes.

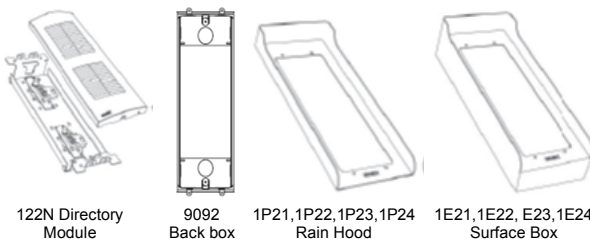
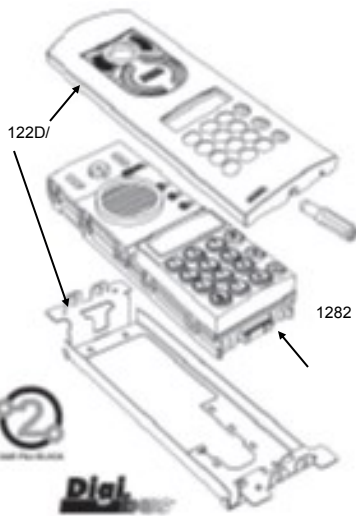
Programming of the panel parameters and names can be done from the panel keypad, with handheld programmer 960B or with a computer and serial interface model 6952.

Controls include talk up and talk down volume and balance.

Specifications

Call Origination:	15 Key Keypad LED Backlit
Speaker/Mic:	Speaker/electret microphone full duplex
Display:	Graphic Electronic LCD display Up to 600 names 16 Characters long
Directory:	Up to 2000 names 16 Characters long
Access Control:	Up to 2000 keyed access codes can be stored in panels
Calling Capacity:	Able to call any of the up to 999999999 Digibus Codes available. (1 to 99999999)
Mounting:	9192 box(s)+ 1P21 c321 Flush Surface with 1E21/s321 Surface box with hood

General Information



1282
Digibus Entry Panel Module
for 1200/1300 Series Panels

Architects and Engineers Specification

The 1282 Digibus electronics module shall be designed to mount in the 1200/1300 series panels and installed either flush or surface mounted. The 1282 shall contain the Speaker/Mic, electronic name directory, alphanumeric keypad and display. The 1282 shall be equipped with a graphic LCD display and electronic directory for up to 2000 names. Each name is up to 16 characters long. Provision for multiple names per apartment shall be provided.

The 1282 shall be able to store up to 2000 keyed access codes to allow for entry into the building by entering one of the codes.

Programming of the panel parameters and names shall be done from the panel keypad, the handheld programmer 960B or with a computer and serial interface model 6952.

1282 Series

Rev 1.0