

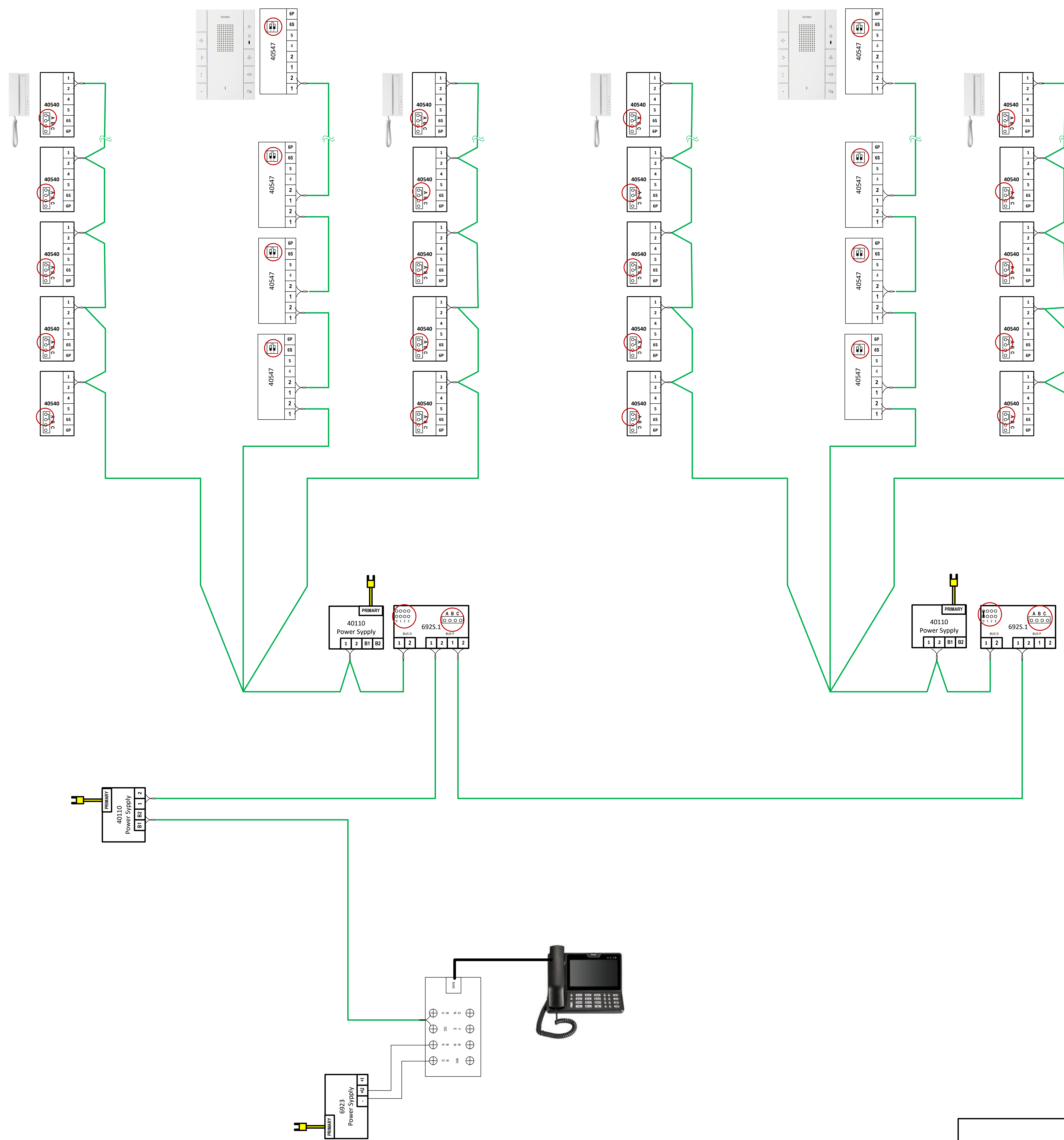
IMPORTANT


Pay close attention to the end of line DIP switch settings in the diagram and make sure you match them in the installation.

In an all audio system, every device should be set to

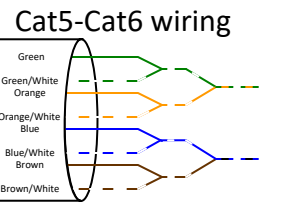
"A Jumper Position"
or
"Both DIP Switches Off"

This includes Apartment Stations



 **ELVEX DOOR ENTRY**
Audio 1 Concierge up to 80 Stations.vsd

Wiring Legend

 Cat5-Cat6 wiring

Twisted Pair AWG 18 or Cat5/6

2C AWG 16