

IMPORTANT

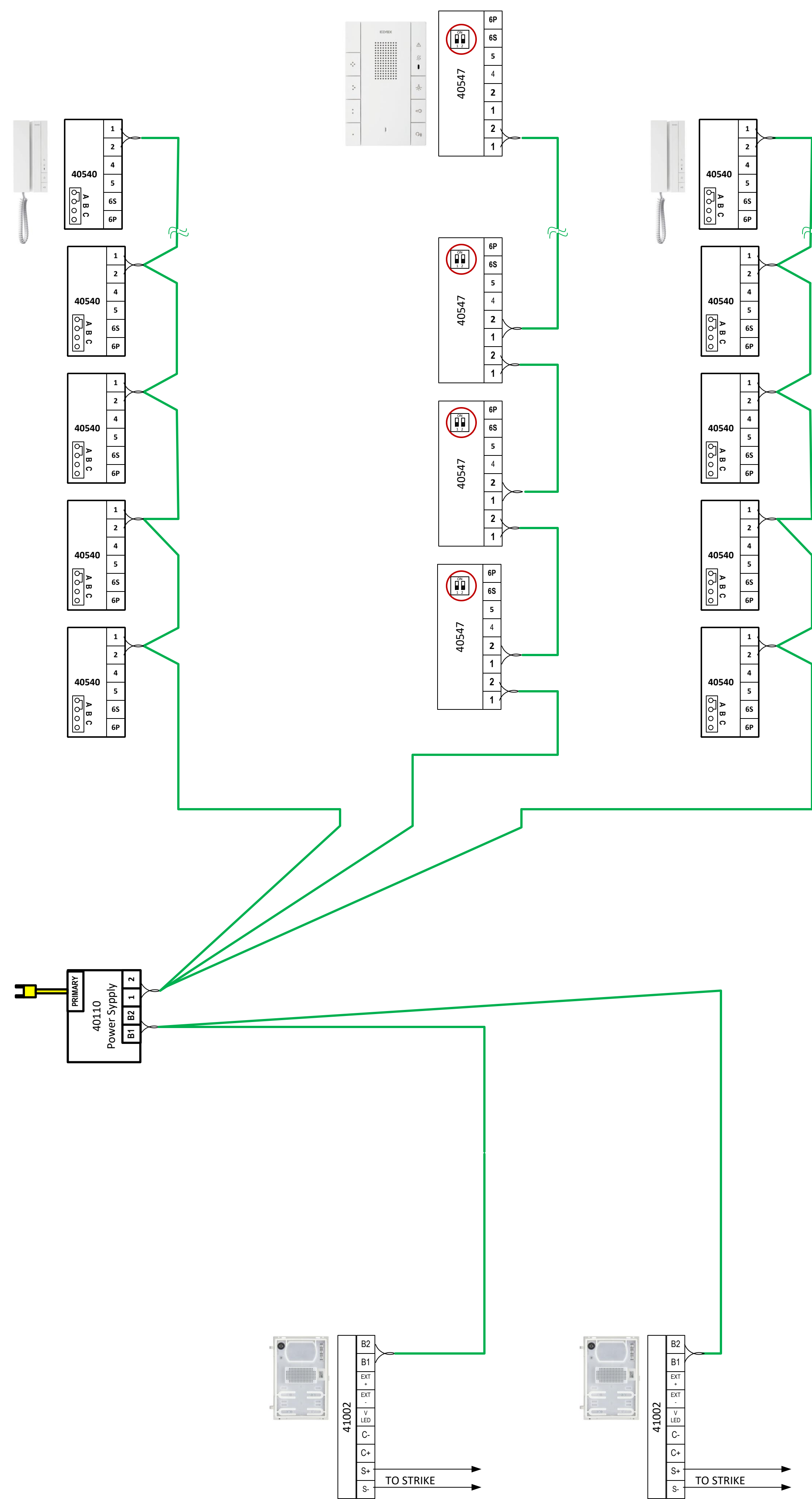
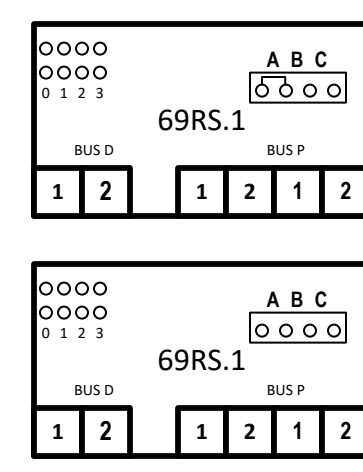
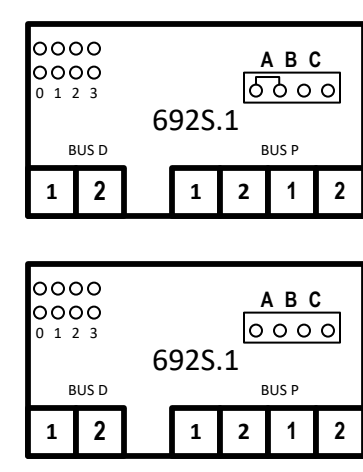
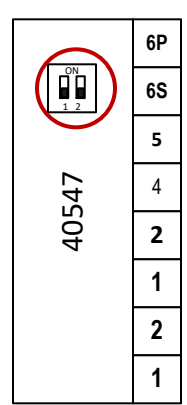
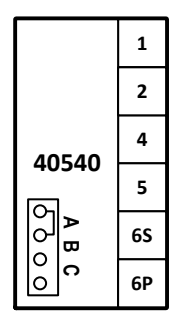
Pay close attention to the end of line DIP switch settings in the diagram and make sure you match them in the installation.

In an all audio system, every device should be set to

"A Jumper Position"

or
"Both DIP Switches Off"

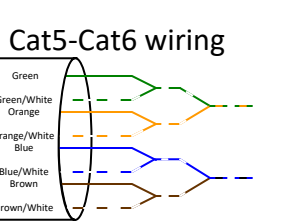
This includes
Apartment Stations



ELVAX DOOR ENTRY

Audio 2 Entry up to 40 Stations.vsd

Wiring Legend



Twisted Pair AWG 18 or Cat5/6

2C AWG 16