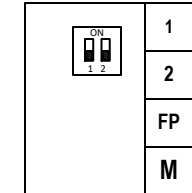


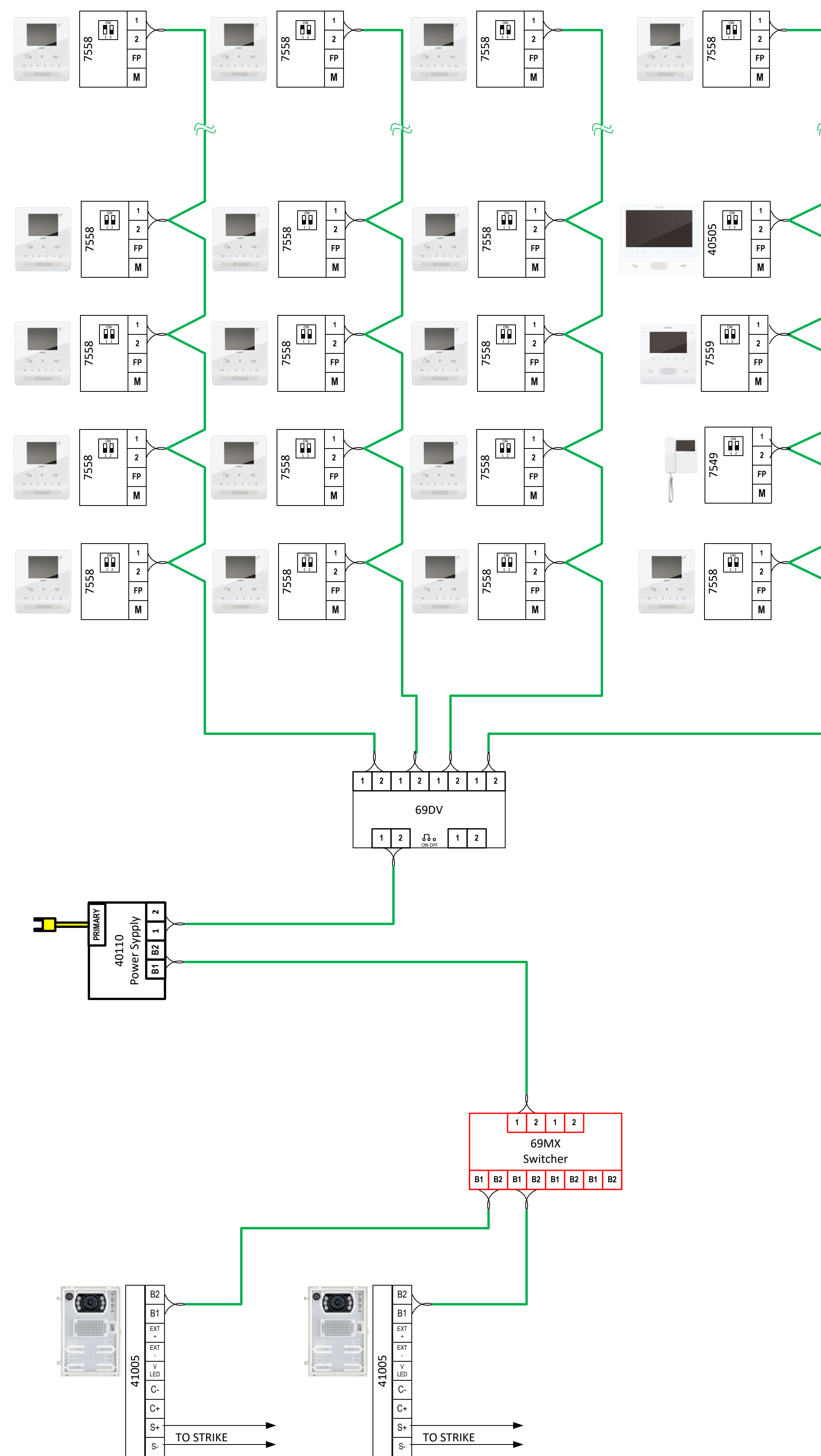
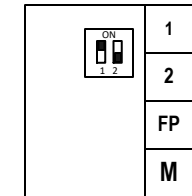
# IMPORTANT

Pay close attention to the end of line DIP switch settings in the diagram and make sure you match them in the installation.

All in line monitors should be set with both switches "OFF".



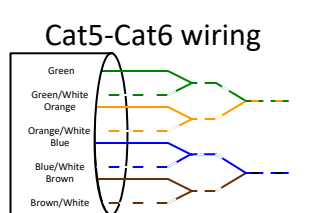
End of the riser monitor will have either 1 or both switches "ON".



**ELVEX** DOOR ENTRY

Video 2 Entry 4 Riser system.vsd

## Wiring Legend



Twisted Pair AWG 18 or Cat5/6

2C AWG 16