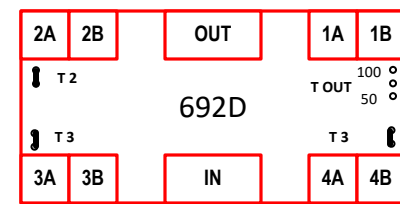


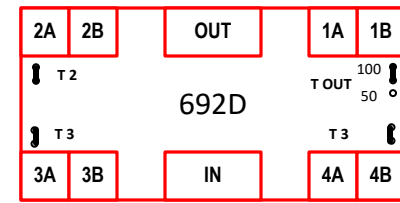
# IMPORTANT

Pay close attention to the end of line jumper settings in the diagram and make sure you match them in the installation.

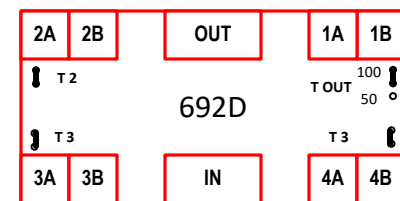
All in line 692D should have the T OUT jumper **"Removed"**.



End of the riser 692D should have the T OUT Jumper in **"100"(Twisted AWG 18)**  
**"50" (Cat5/6)**



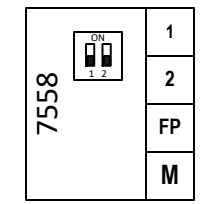
When an apartment station is connected to output 2, 3 and/or 4  
**Remove Jumpers T2, T3, and/or T4**



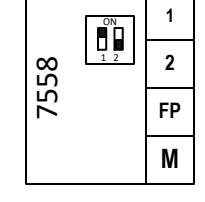
# IMPORTANT

Pay close attention to the end of line DIP switch settings in the diagram and make sure you match them in the installation.

All in line monitors should be set with both switches **"OFF"**.

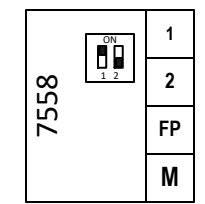


End of the riser monitor will have either 1 or both switches **"ON"**

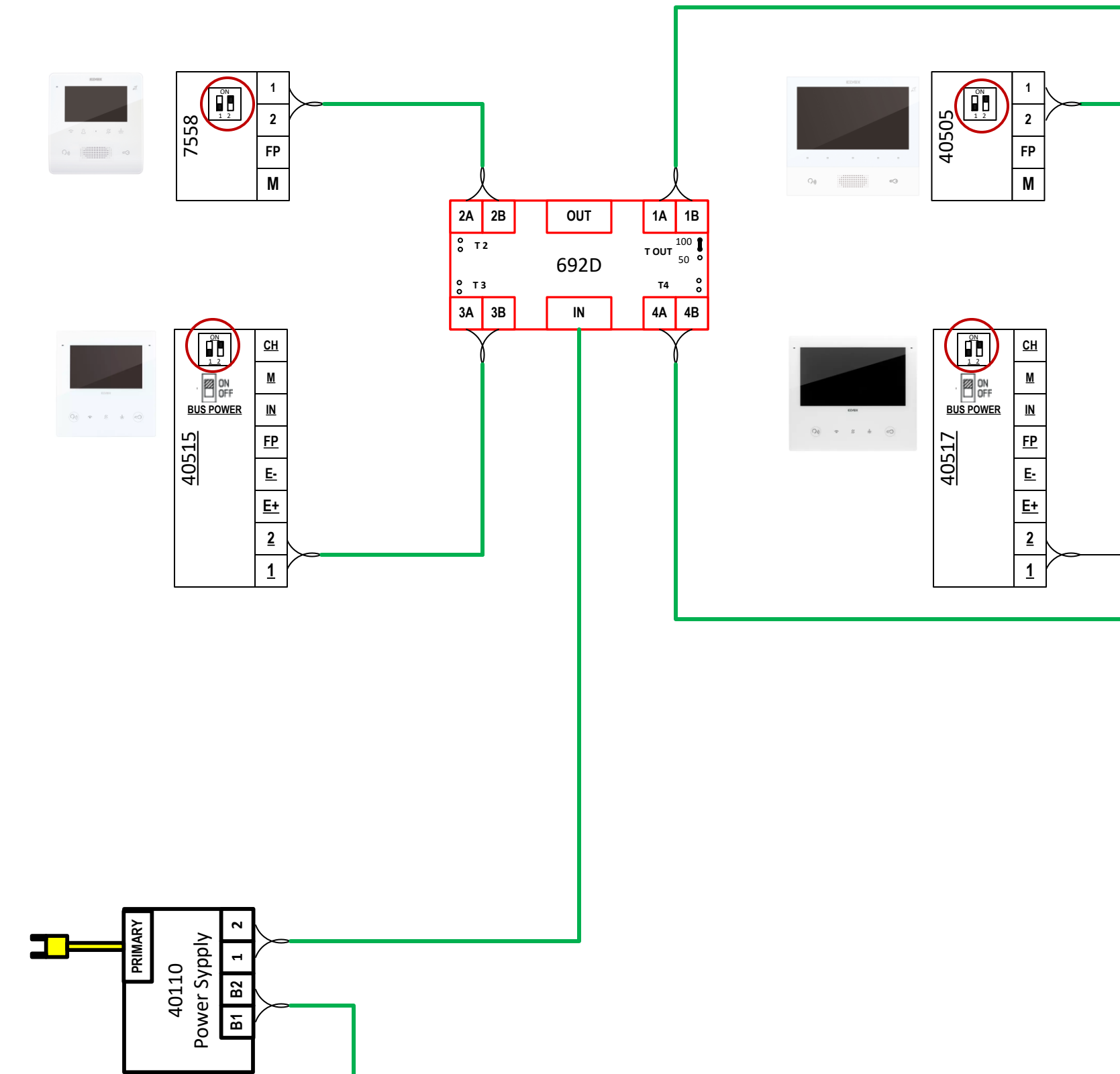
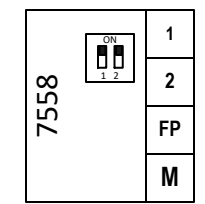


Pay close attention to the end of line DIP switch settings in the diagram and make sure you match them in the installation.

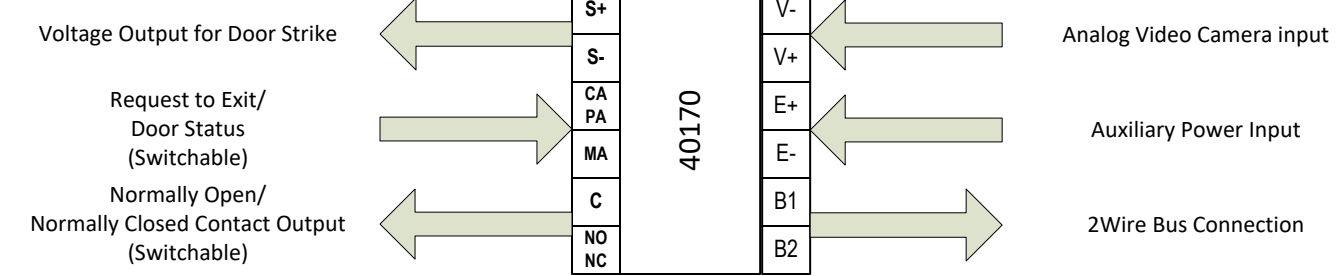
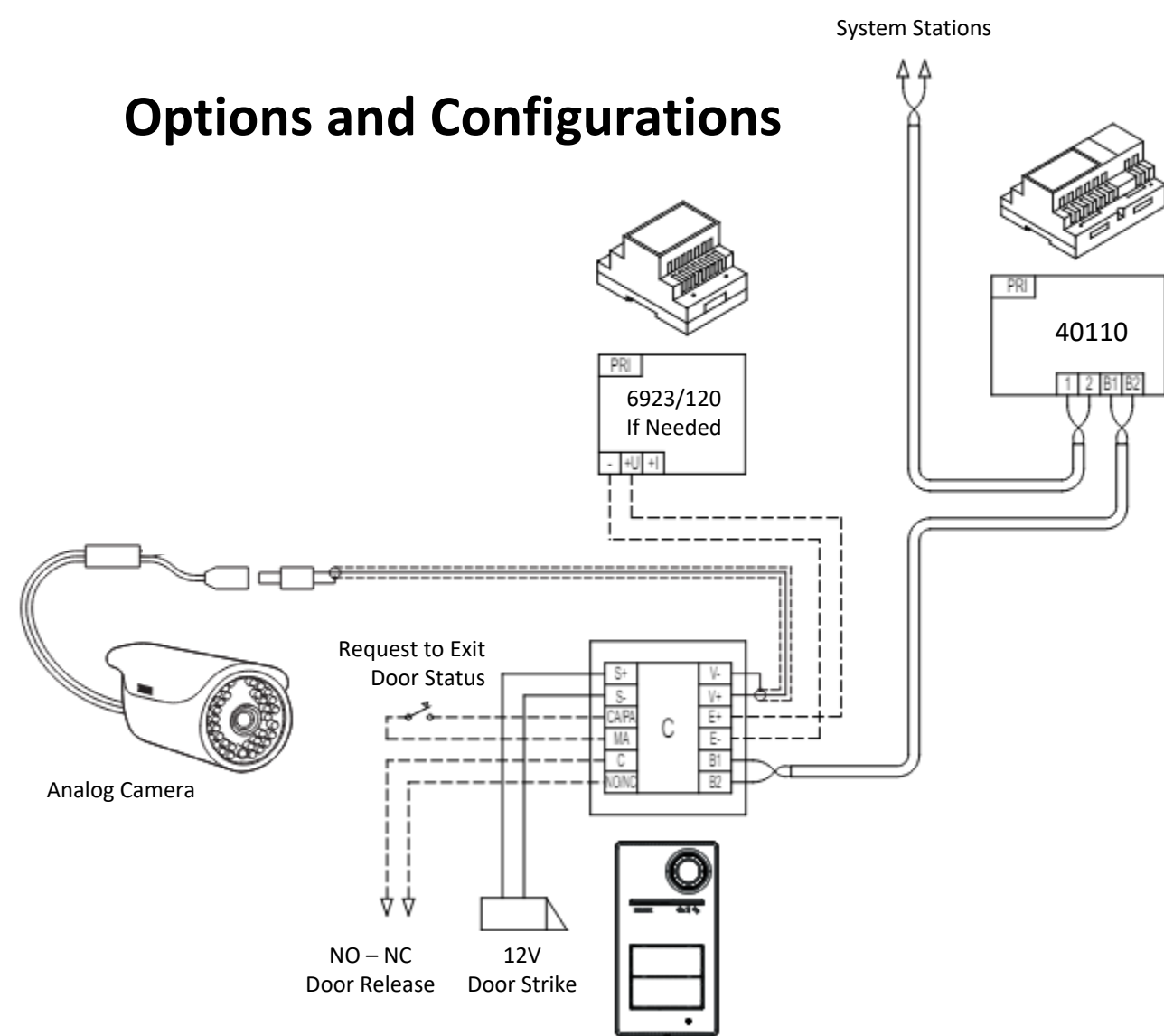
**"1 ON and 1 OFF" (Twisted AWG 18)"**



**"Both ON" (Cat5/6)**

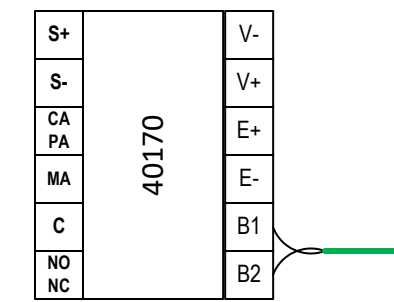
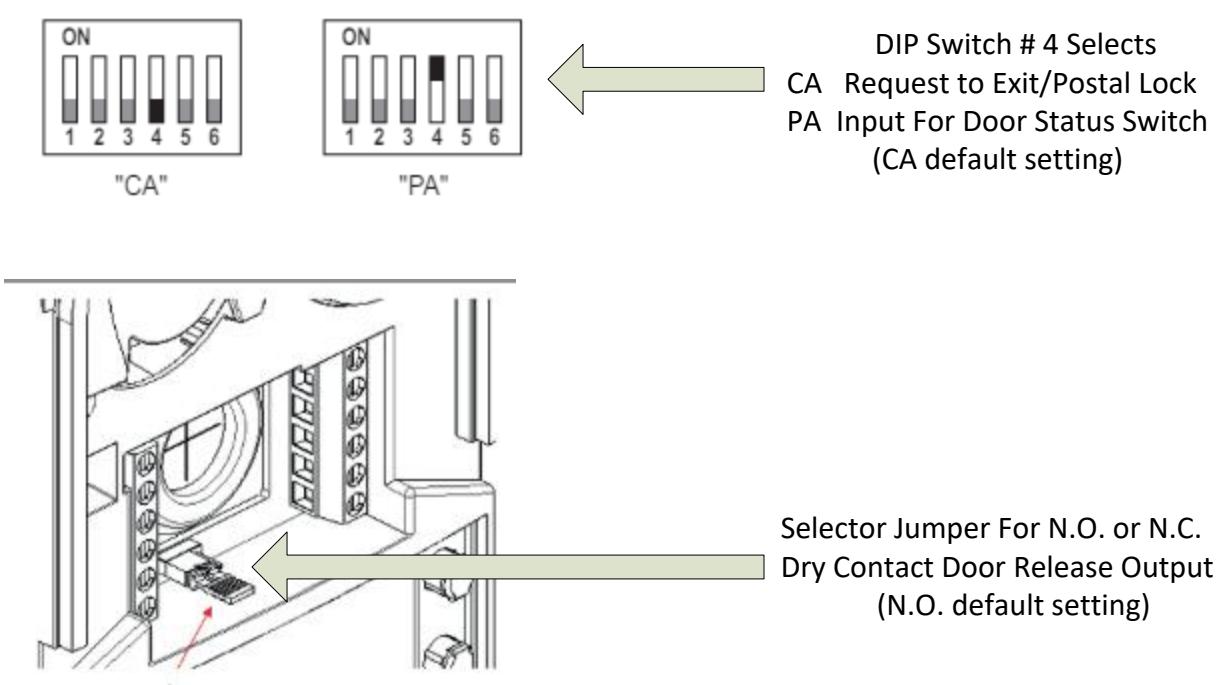


## Options and Configurations



## 40170 Input and Output Capabilities

## Settings



## Wiring Legend



Twisted Pair AWG 18 or Cat5/6

2C AWG 16



**EDVAX** DOOR ENTRY

40170 typical.vsd